

CHF / CHFT 8 Series

Specification Data



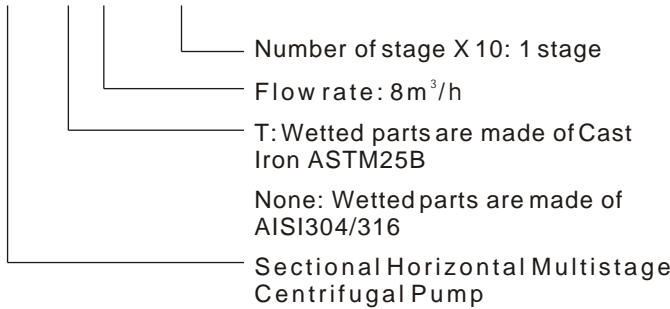
CHF Series



CHFT Series

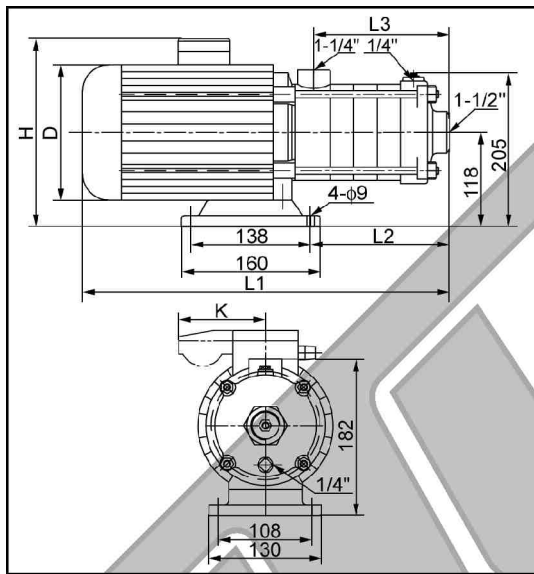
Pump Key

CHF T 8 - 10



Model		CHF 8 CHFT 8
Capacity	(m ³ /h)	5~11
Max. Head	(m)	49
Max. Working Pressure	(bar)	10
Power	(kw)	0.75~2.2
	(hp)	1~3
Fluid Temperature	(°C)	-15 to +110
Ambient Temperature	(°C)	+40
Max. Efficiency	(%)	58
Pipe Coupling		
Inlet & Outlet (Inner Thread)	1-1/2" & 1-1/4"	
Electric Motor		
Protection / Insulation Class	IP55 / F	

Outline Dimensios



Model	Motor Power		Capacity Q(m ³ /h)						
	kw	hp	5	6	7	8	9	10	11
CHF(T) 8-10	0.75	1.0	9.5	9.3	9	8.5	7.5	6.5	5.5
CHF(T) 8-20	0.75	1.0	19	18.5	18	17	15	13	11
CHF(T) 8-30	1.1	1.5	29	28	27	25.5	22.5	20	17.5
CHF(T) 8-40	1.5	2.0	39	38	36	34	30	26.5	22.5
CHF(T) 8-50	2.2	3.0	49	47	45	42.5	38	33.5	28

Model	Dimensions (mm)						Weight (kg)	
	L1	L2	L3	D	H			K
					1-Ph	3-Ph	1-Ph	
CHF(T) 8-10	395	128	108	170	252	230	100	20
CHF(T) 8-20	395	128	108	170	252	230	100	20
CHF(T) 8-30	425	158	138	170	252	230	100	25
CHF(T) 8-40	490	188	168	180	260	240	100	28
CHF(T) 8-50	520	218	198	180	260	240	100	30

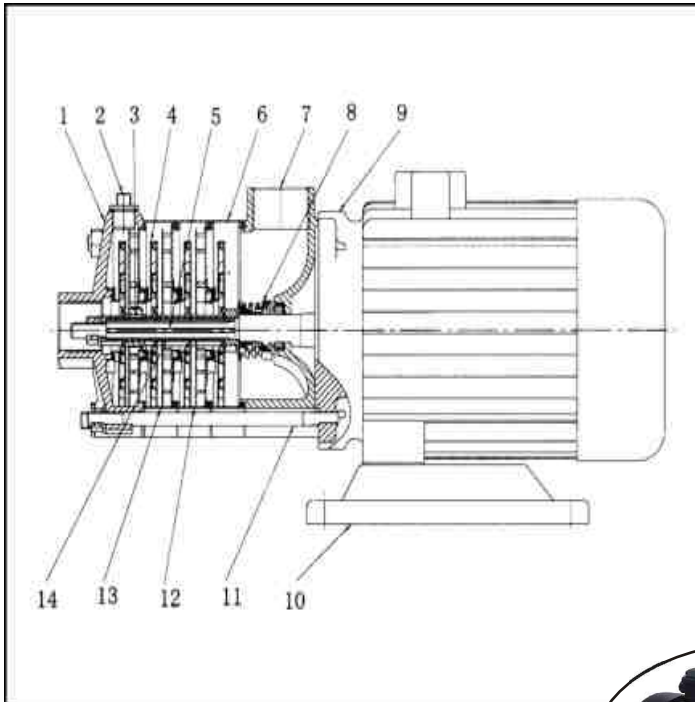
Selection of Pumps For Various Liquids

Model	CHF 8	CHFT 8
Pumped Liquids		
Fresh water	*	*
Water & glycol mixtures (non-heating)	*	*
Water & glycol mixtures (heating)	*	*
Demineralised water & de-ionised water (4<PH<9)	*	*
Brine(CaCl-brine & NaCl-brine)	*	*
Impregnation fluid (4<PH<9)	*	*
Hot water	*	*
Swimming pool water	*	*
Alcohol	*	*
Benzene, naphthalene, toluene, xylene	*	*
Fertilizer solutions	*	*
Acids (PH>4)	*	*
Bases	*	*
Degreasing fluids	*	*

Applications

APPLICATION	CHF 8	CHFT 8
Industrial washing	*	*
Cooling system	*	*
Environmental applications	*	*
Aqua farming	*	*
Water treatment	*	
Fertilizing & metering system	*	
Fertilizer & dosing system	*	

CHF 8 Diagram & Material

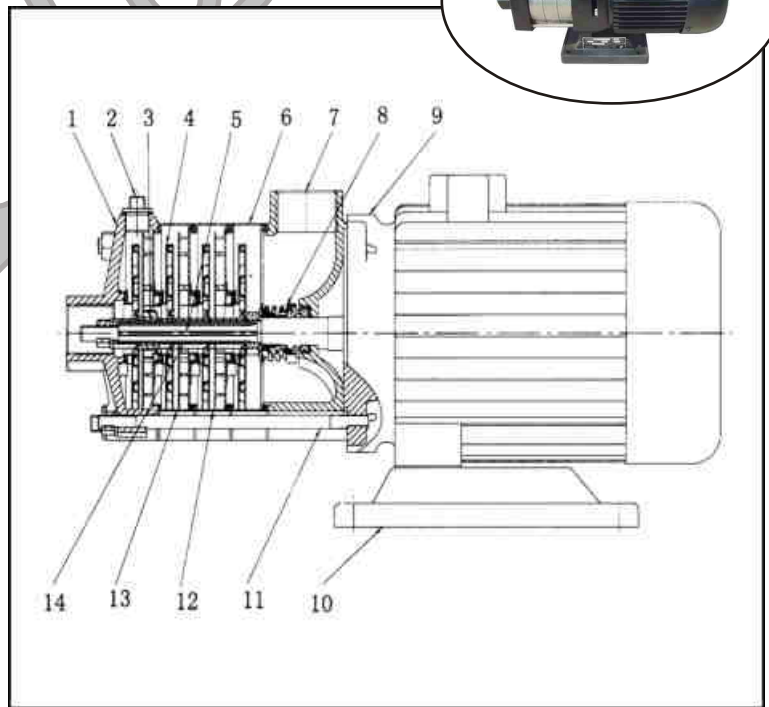


No	Descriptions	Material (AISI / ASTM)
1	Inlet Chamber	S. Steel AISI304 / AISI316
2	Plug	S. Steel AISI304 / AISI316
3	Bearing	Tungsten Carbide
4	Impeller	S. Steel AISI304 / AISI316
5	Pump Shaft	S. Steel AISI304
6	Top Guide Vane	S. Steel AISI304 / AISI316
7	Outlet Chamber	S. Steel AISI304 / AISI316
8	Mechanical Seal NF-20	
9	Motor End Cover	Aluminium Alloy
10	Base	Cast Iron ASTM25B
11	Pull Rod	S. Steel AISI304
12	Guide Vane	S. Steel AISI304 / AISI316
13	Intermediate Chamber c/w Bearing	S. Steel AISI304 / AISI316
14	Impeller Spacer	S. Steel AISI304 / AISI316



CHFT 8 Diagram & Material

No	Descriptions	Material (AISI / ASTM)
1	Inlet Chamber	Cast Iron ASTM25B
2	Plug	S. Steel AISI304
3	Bearing	Tungsten Carbide
4	Impeller	S. Steel AISI304
5	Pump Shaft	S. Steel AISI304
6	Top Guide Vane	S. Steel AISI304
7	Outlet Chamber	Cast Iron ASTM25B
8	Mechanical Seal NF-20	
9	Motor End Cover	Aluminium Alloy
10	Base	Cast Iron ASTM25B
11	Pull Rod	S. Steel AISI304
12	Guide Vane	S. Steel AISI304
13	Intermediate Chamber c/w Bearing	S. Steel AISI304
14	Impeller Spacer	S. Steel AISI304



THONG FATT JAYA MACHINERY HARDWARE SDN. BHD.

同發機械五金有限公司 (176024-V)

707-709, Jalan Kuala Kangsar, Taman Tasek Jaya,
31400 Ipoh, Perak, Malaysia.
Tel: 00-605-5468 659, 5455 751, 5479 196, 5454 107
Fax: 00-605-5482 282, 5474 753
Email: tfjaya@streamyx.com / tfjaya@tm.net.my
Website: http://www.thongfattjaya.com.my