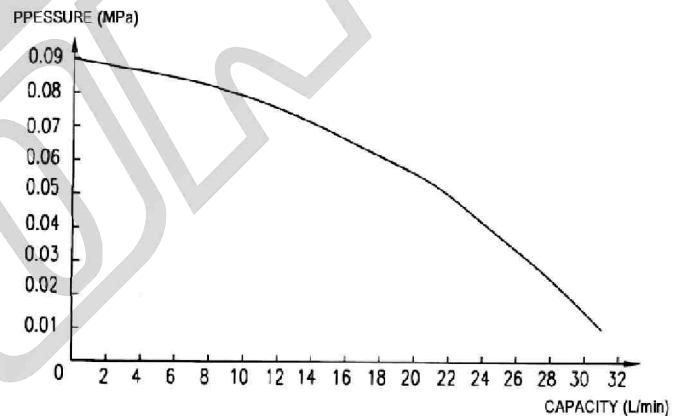




MZ20A

Max. Capacity: 30L/min
 Max. Head: 9m
 Power: (Input) 120w / (Output) 60w
 Voltage/Frequency: 240V/50Hz
 Current: 0.55amp
 Speed: 2700r.p.m
 Class: INS. E / IP42
 Connection Dia.: G3/4"

PERFORMANCE CURVE



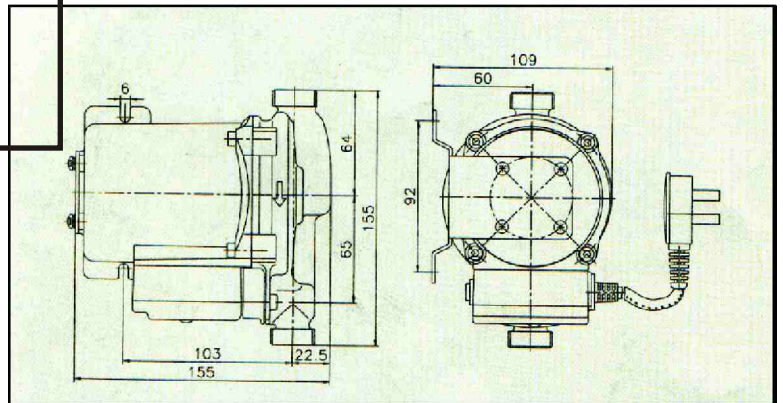
FEATURES:

- Safety, no leakage
- Large capacity and high pressure
- Easy to install, low noise and durable

APPLICATIONS:

- Booster for higher water pressure & water heater
- Aquarium, industrial facility cycle water supply
- Solar cycle water supply
- Household boiler cycle water supply

OUTLINE DIMENSIONS



THONG FATT JAYA MACHINERY HARDWARE SDN. BHD.

同發機械五金有限公司 (176024-V)

707-709, Jalan Kuala Kangsar, Taman Tasek Jaya,
 31400 Ipoh, Perak. Malaysia.
 Tel: 00-605-5468 659, 5455 751, 5479 196, 5454 107
 Fax: 00-605-5482 282, 5474 753
 Email: tfjaya@streamyx.com / tfjaya@tm.net.my
 Website: http://www.thongfattjaya.com.my