

# FLUOROPLASTIC CENTRIFUGAL PUMP

## OHB Series Slurry Pump

### ◆ APPLICATION

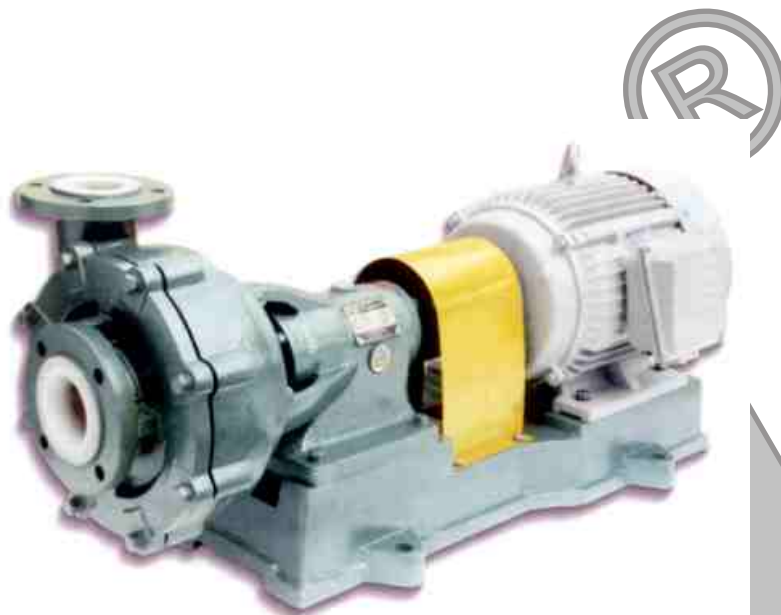
These pumps find a wide application in acid, alkali, salt, oil, food and beverages, organic solutions and other liquids, especially in carrying those highly corrosive liquids with fine particles.

Solid diameter:  $\leq 40\text{mm}$

Concentration:  $\leq 30\%$

Applicable temperature:  $-20^{\circ}\text{C} \sim +80^{\circ}\text{C}$

OHB SERIES



### ◆ FEATURE

Being a cantilever single-level single-suction centrifugal pump, this pump is constructed in an ultra-high molecular weight polythene lined with steel, which together make this pump a combination of steel-rigid intensity and wonderful properties, such like that of ultra-molecular weight polythene, against corrosion and wearing.

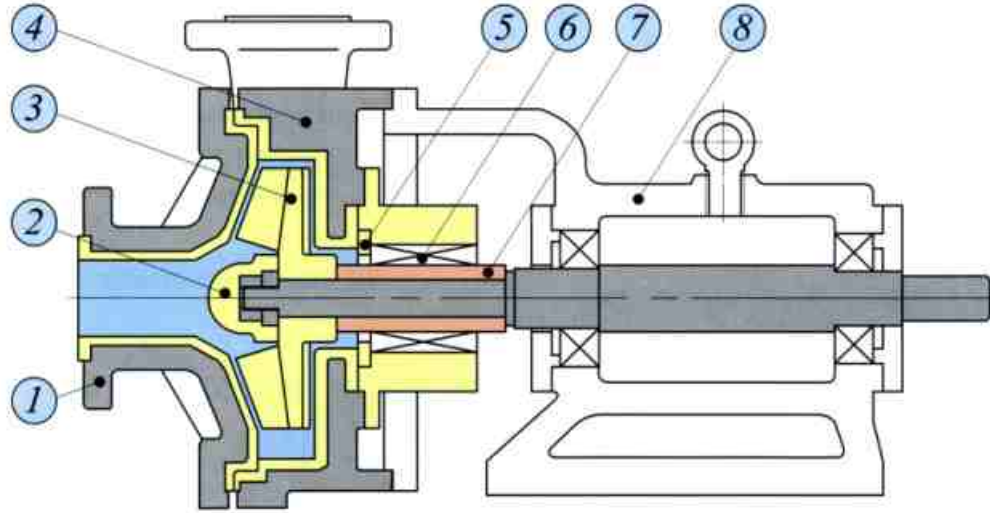


**THONG FATT JAYA MACHINERY HARDWARE SDN. BHD.**

**同發機械五金有限公司** (176024-V)

707-709, Jalan Kuala Kangsar, Taman Tasek Jaya,  
31400 Ipoh, Perak. Malaysia.  
Tel: 00-605-5468 659, 5455 751, 5479 196, 5454 107  
Fax: 00-605-5482 282, 5474 753  
Email: tfjaya@streamyx.com / tfjaya@tm.net.my  
Website: <http://www.thongfattjaya.com.my>

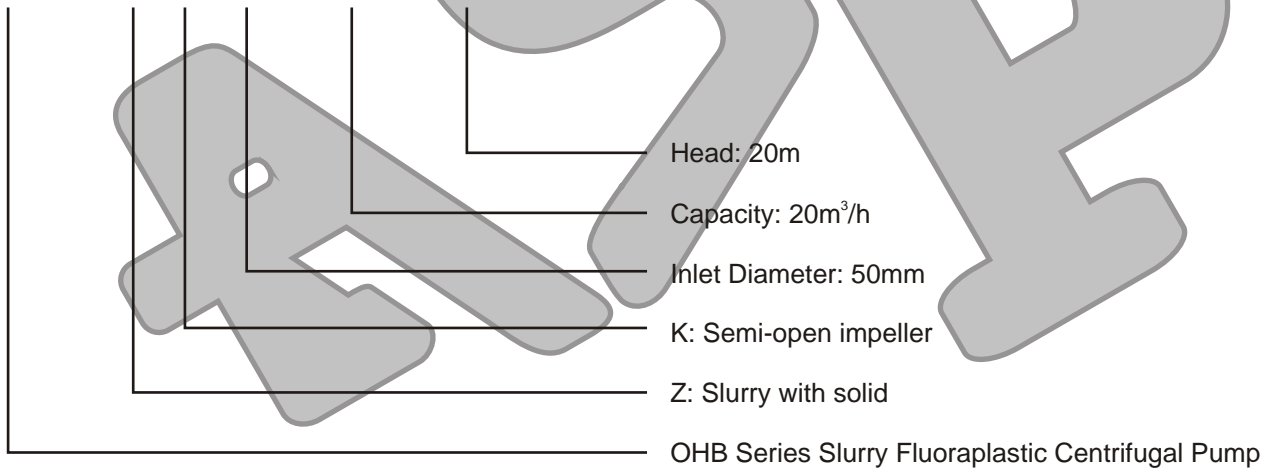
## ◆ STRUCTURE & MATERIAL



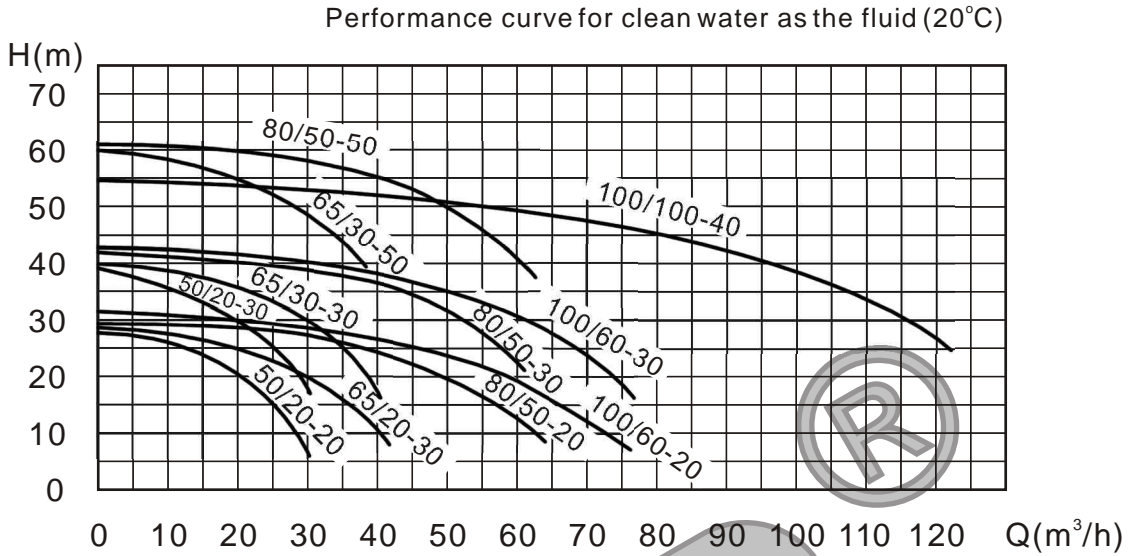
NO	PART NAME	MATERIAL	NO	PART NAME	MATERIAL
1	Pump Body	HT200 / UHMWPE	5	Pump Cover	HT200 / UHMWPE
2	Latch Nut	45# / UHMWPE	6	Shaft Gland	Fluororubber
3	Impeller	1Cr18Ni9Ti / Fluoroplastics alloy	7	Axle Sleeve	Fluororubber
4	Husk	HT200 / UHMWPE	8	Bracket	HT200

## ◆ PUMP KEY

**OHB - Z K 50 / 20 - 20**



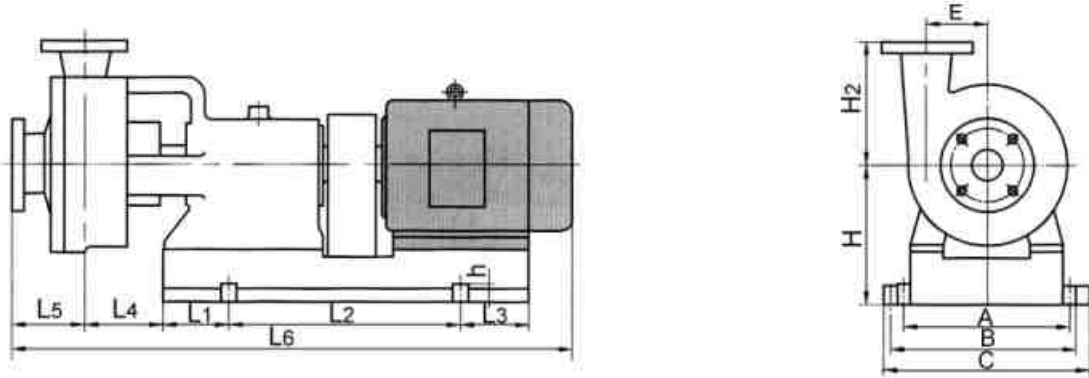
◆ **PERFORMANCE CHART (2900RPM)**



◆ **SPECIFICATION DATA**

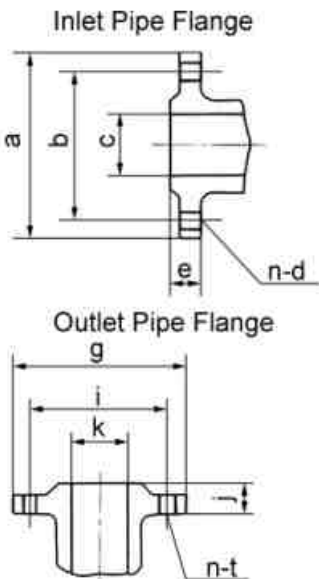
Model	Capacity (m <sup>3</sup> /h)	Head (m)	Inlet (mm)	Outlet (mm)	Speed (rpm)	NPSHr (m)
OHB-ZK50/20-20	20	20	50	40	2900	4
OHB-ZK50/20-30	20	30	50	40	2900	5.5
OHB-ZK65/30-20	30	20	65	50	2900	5.5
OHB-ZK65/30-30	30	30	65	50	2900	7.5
OHB-ZK65/30-50	30	50	65	50	2900	15
OHB-ZK80/45-35	45	35	80	65	2900	11
OHB-ZK80/50-20	50	20	80	65	2900	11
OHB-ZK80/50-30	50	30	80	65	2900	11
OHB-ZK80/50-50	50	50	80	65	2900	18.5
OHB-ZK100/60-35	60	35	100	80	2900	15
OHB-ZK100/60-50	60	50	100	80	2900	18.5
OHB-ZK100/100-40	100	40	100	80	2900	22

## ◆ INSTALLATION DIMENSIONS



Model	Overall Dimensions (mm)												
	A	B	C	E	H <sub>1</sub>	H <sub>2</sub>	L <sub>1</sub>	L <sub>2</sub>	L <sub>3</sub>	L <sub>4</sub>	L <sub>5</sub>	L <sub>6</sub>	h
OHB-ZK50/20-20	320	320	370	95	212	176.5	160	400	160	259	97	1020	22
OHB-ZK50/20-30	320	320	370	95	212	176.5	160	400	160	259	97	1020	22
OHB-ZK65/30-20	320	320	370	125	278	220	160	400	160	264	120	1060	25
OHB-ZK65/30-30	320	320	370	125	278	220	160	400	160	264	120	1060	25
OHB-ZK65/30-50	320	400	430	125	278	220	180	530	150	264	120	1060	25
OHB-ZK80/45-35	320	400	430	125	278	220	180	530	150	264	120	1080	25
OHB-ZK80/50-20	320	400	430	125	278	220	180	530	150	264	120	1080	25
OHB-ZK80/50-30	320	400	430	125	278	220	180	530	150	264	120	1080	25
OHB-ZK80/50-50	320	400	430	125	278	220	180	530	150	264	120	1080	25
OHB-ZK100/60-35	385	420	450	130	270	225	188	705	285	180	130	1610	30
OHB-ZK100/60-50	385	420	450	130	270	225	188	705	285	180	130	1610	30
OHB-ZK100/100-40	385	420	450	130	270	225	188	705	285	180	130	1610	30

## ◆ FLANGE DIMENSIONS



Model	Inlet Pipe Flange Dimensions (mm)					Outlet Pipe Flange Dimensions (mm)				
	c	a	b	e	n - $\phi d$	k	g	l	j	n - $\phi t$
OHB-ZK50/20-20	50	140	110	23	4-14	40	130	100	21	4-14
OHB-ZK50/20-30	50	140	110	23	4-14	40	130	100	21	4-14
OHB-ZK65/30-20	65	180	145	25	4-18	50	140	110	23	4-14
OHB-ZK65/30-30	65	185	145	25	4-18	50	140	110	23	4-14
OHB-ZK65/30-50	65	185	145	25	4-18	50	140	110	23	4-14
OHB-ZK80/45-35	80	195	160	27	4-18	65	185	145	25	4-18
OHB-ZK80/50-20	80	195	160	27	4-18	65	185	145	25	4-18
OHB-ZK80/50-30	80	195	160	27	4-18	65	185	145	25	4-18
OHB-ZK80/50-50	80	195	160	27	4-18	65	185	145	25	4-18
OHB-ZK100/60-35	100	220	180	29	8-18	80	195	160	27	4-18
OHB-ZK100/60-50	100	220	180	29	8-18	80	195	160	27	4-18
OHB-ZK100/100-40	100	220	180	29	8-18	80	195	160	27	4-18