

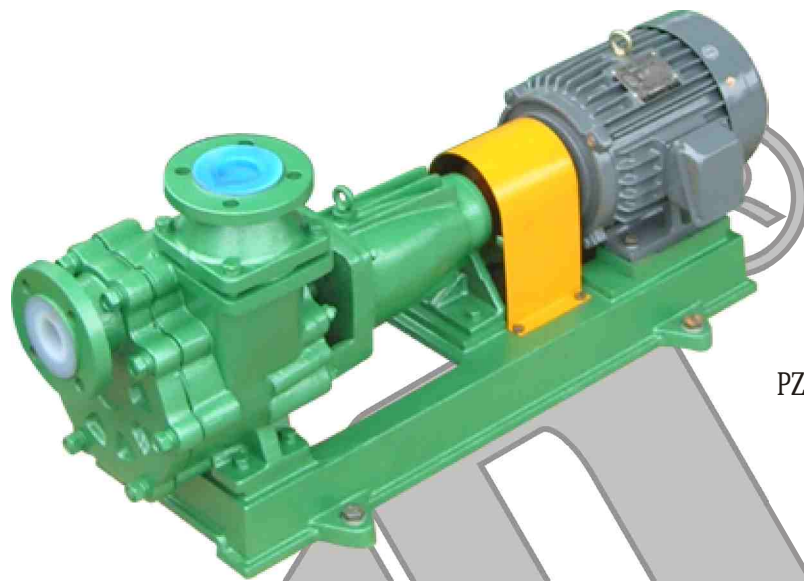
FLUOROPLASTIC CENTRIFUGAL PUMP

PZB Series Self-Priming Pump

◆ APPLICATION

This kind of product is widely applied in chemical industry, pharmacy, papermaking, electronics industry and other industries.

Operation temperature: -20°C ~ +95°C



PZB SERIES

◆ FEATURE

Corrosion-proof Design

The overflow parts of the PZB Self-priming Centrifugal Pump Series are all made of neoflon alloy, so they are reasonable structure and convenient in operation.

Advanced Structure

The most outstanding strong point of this series is the self-priming function. Adopts the external circulation type self-priming structure. These products have strong self-priming capacity, and processing takes less time.

Convenient Installation

The self-priming height is within the scope of 1 to 3 meters, according to the needs of the users.

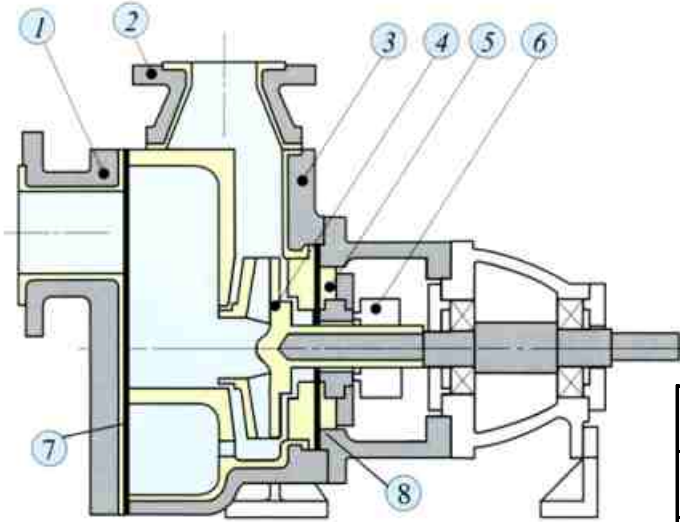


THONG FATT JAYA MACHINERY HARDWARE SDN. BHD.

同發機械五金有限公司 (176024-V)

707-709, Jalan Kuala Kangsar, Taman Tasek Jaya,
31400 Ipoh, Perak, Malaysia.
Tel: 00-605-5468 659, 5455 751, 5479 196, 5454 107
Fax: 00-605-5482 282, 5474 753
Email: tfjaya@streamyx.com / tfjaya@tm.net.my
Website: <http://www.thongfattjaya.com.my>

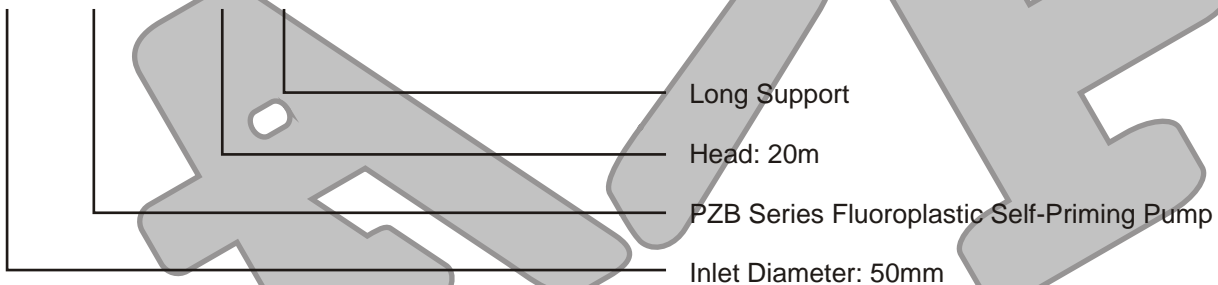
◆ STRUCTURE & MATERIAL



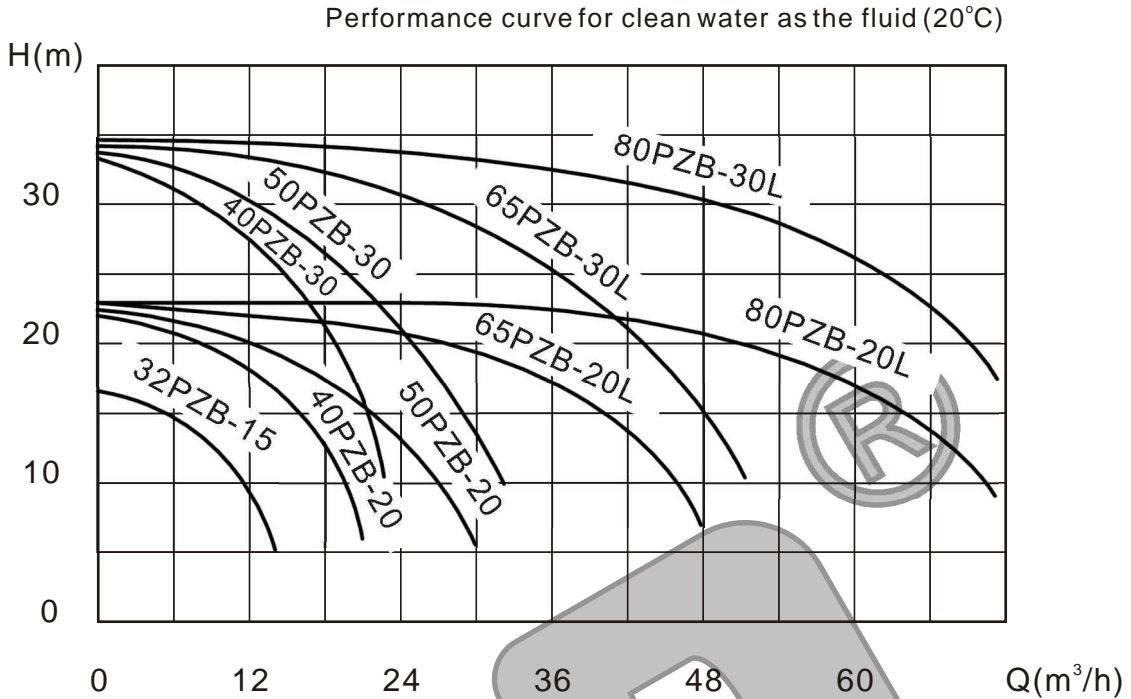
| NO. | PART NAME | MATERIAL |
|-----|-----------------|--|
| 1 | Front Cover | Fluoroplastic Alloy, HT200 |
| 2 | Coupling Flange | Fluoroplastic Alloy, HT200 |
| 3 | Pump Body | Fluoroplastic Alloy, HT200 |
| 4 | Impeller | Fluoro-rubber, 45# Steel |
| 5 | Pump Cover | Fluoroplastic Alloy, HT200 |
| 6 | Mechanical Seal | Tetrafluoro-ethylene, Aluminium Oxide, Silicon Carbide, Hard Alloy |
| 7 | Front Gasket | Fluororubber |
| 8 | Rear Gasket | Fluororubber |

◆ PUMP KEY

50 PZB - 20 L



◆ PERFORMANCE CHART (2900RPM)

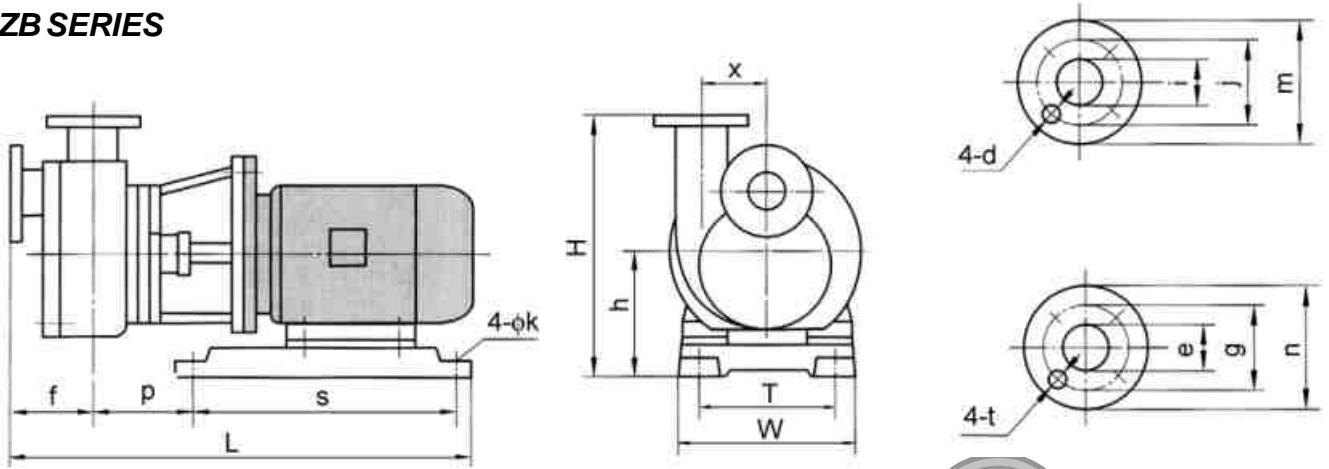


◆ SPECIFICATION DATA

| Model | Capacity (m ³ /h) | Head (m) | Inlet (mm) | Outlet (mm) | Power (Kw) | | Speed (rpm) | NPSHr (m) | Efficiency (%) |
|-----------|------------------------------|----------|------------|-------------|------------|-------|-------------|-----------|----------------|
| | | | | | Shaft | Motor | | | |
| 32PZB-15 | 5 | 15 | 32 | 32 | 0.92 | 1.5 | 2900 | 2 | 45 |
| 40PZB-20 | 8 | 20 | 40 | 40 | 1.6 | 3 | 2900 | 2 | 48 |
| 40PZB-30 | 8 | 30 | 40 | 40 | 1.95 | 3 | 2900 | 2 | 48 |
| 50PZB-20 | 12 | 20 | 50 | 50 | 1.9 | 3 | 2900 | 2.5 | 52 |
| 50PZB-30 | 12 | 30 | 50 | 50 | 2.4 | 3 | 2900 | 2.5 | 52 |
| 65PZB-20L | 25 | 20 | 65 | 50 | 2.72 | 4 | 2900 | 3 | 55 |
| 65PZB-30L | 25 | 30 | 65 | 50 | 4.1 | 5.5 | 2900 | 3 | 55 |
| 80PZB-20L | 40 | 20 | 80 | 65 | 4.3 | 5.5 | 2900 | 3.5 | 55 |
| 80PZB-30L | 50 | 30 | 80 | 65 | 7.8 | 11 | 2900 | 3.5 | 58 |

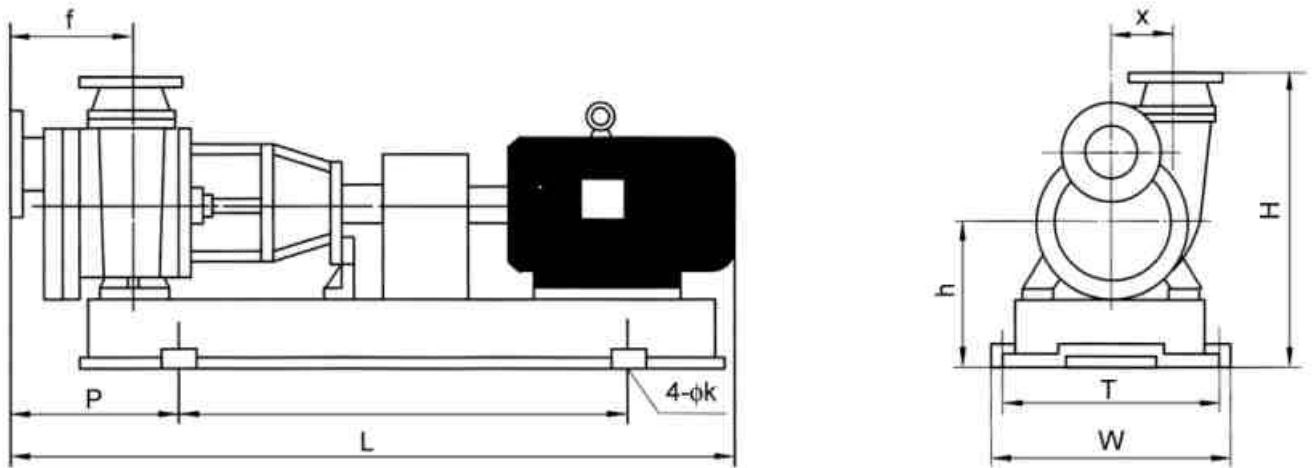
◆ INSTALLATION DIMENSION

PZB SERIES



| Model | Overall Dimensions (mm) | | | | | | | | | | Inlet Pipe Flange Dimensions (mm) | | | | Outlet Pipe Flange Dimensions (mm) | | | |
|----------|-------------------------|-----|-----|-----|-----|-----|-----|-----|----|----|-----------------------------------|-----|-----|----|------------------------------------|-----|-----|----|
| | L | S | P | f | W | T | H | h | x | k | l | j | m | d | e | g | n | t |
| 32PZB-15 | 450 | 100 | 160 | 80 | 180 | 140 | 230 | 90 | 55 | 10 | 32 | 90 | 120 | 11 | 32 | 90 | 120 | 11 |
| 40PZB-20 | 590 | 310 | 160 | 110 | 220 | 170 | 305 | 140 | 65 | 12 | 40 | 100 | 130 | 13 | 40 | 100 | 130 | 13 |
| 40PZB-30 | 590 | 310 | 160 | 110 | 220 | 170 | 305 | 140 | 80 | 12 | 40 | 100 | 130 | 13 | 40 | 100 | 130 | 13 |
| 50PZB-20 | 590 | 310 | 160 | 110 | 220 | 170 | 305 | 140 | 65 | 12 | 50 | 100 | 130 | 13 | 50 | 100 | 130 | 13 |
| 50PZB-30 | 590 | 310 | 160 | 110 | 220 | 170 | 305 | 140 | 80 | 12 | 50 | 100 | 130 | 13 | 50 | 100 | 130 | 13 |

PZB-L SERIES



| Model | Overall Dimensions (mm) | | | | | | | | | | Inlet Pipe Flange Dimensions (mm) | | | | Outlet Pipe Flange Dimensions (mm) | | | |
|----------|-------------------------|-----|-----|-----|-----|-----|-----|-----|-----|----|-----------------------------------|-----|-----|----|------------------------------------|-----|-----|----|
| | L | S | P | f | W | T | H | h | x | k | l | j | m | d | e | g | n | t |
| 65PZB-20 | 1100 | 600 | 250 | 180 | 390 | 350 | 440 | 212 | 80 | 20 | 65 | 145 | 185 | 18 | 50 | 125 | 165 | 18 |
| 65PZB-30 | 1200 | 660 | 300 | 200 | 450 | 400 | 480 | 232 | 100 | 24 | 65 | 145 | 185 | 18 | 50 | 125 | 165 | 18 |
| 80PZB-20 | 1200 | 660 | 300 | 200 | 450 | 400 | 480 | 232 | 100 | 24 | 80 | 160 | 200 | 18 | 65 | 145 | 185 | 18 |
| 80PZB-30 | 1300 | 740 | 330 | 210 | 490 | 440 | 520 | 260 | 110 | 24 | 80 | 160 | 200 | 18 | 65 | 145 | 185 | 18 |