

# FLUOROPLASTIC CENTRIFUGAL PUMP

## Neoflon Alloy Immersible Pump

### PYH Series

#### ◆ APPLICATION

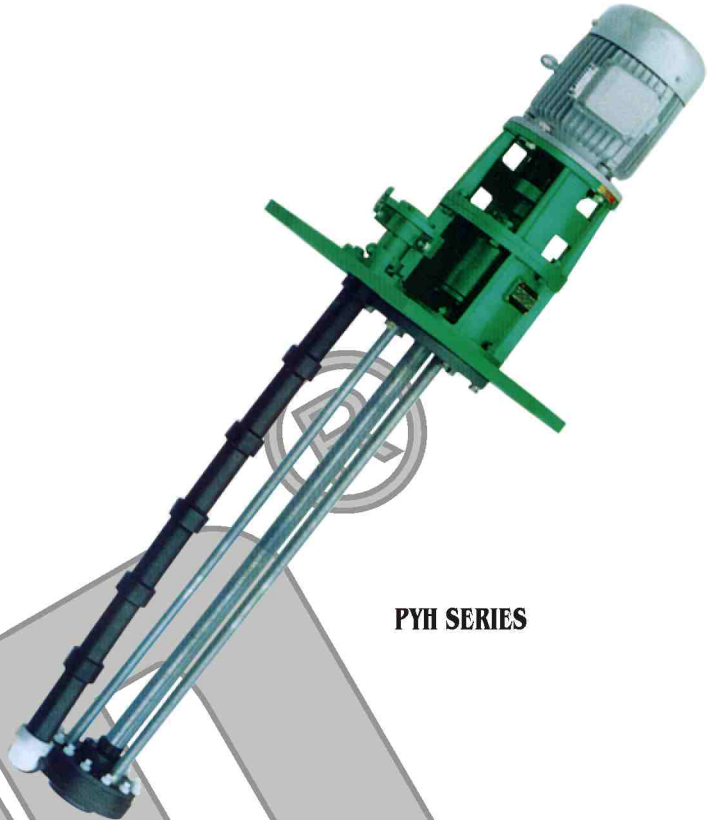
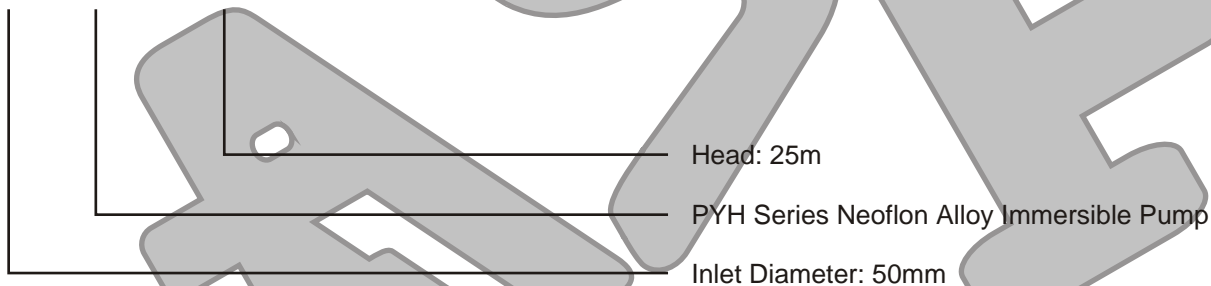
This kind of products is widely used in the conveying of acid and alkali: corrosive media such as organic solvent and strong oxidizer.  
Working temperature: -20°C ~ +95°C

#### ◆ FEATURE

These products are long-shaft vertical centrifugal pumps with wetted part wholly pressed with neoflon alloy. So they have the following characteristics: wide scope of corrosion resisting, high efficiency, lightness, pumping without priming, convenient maintenance, etc.

#### ◆ PUMP KEY

**50 PYH - 25**



**PYH SERIES**

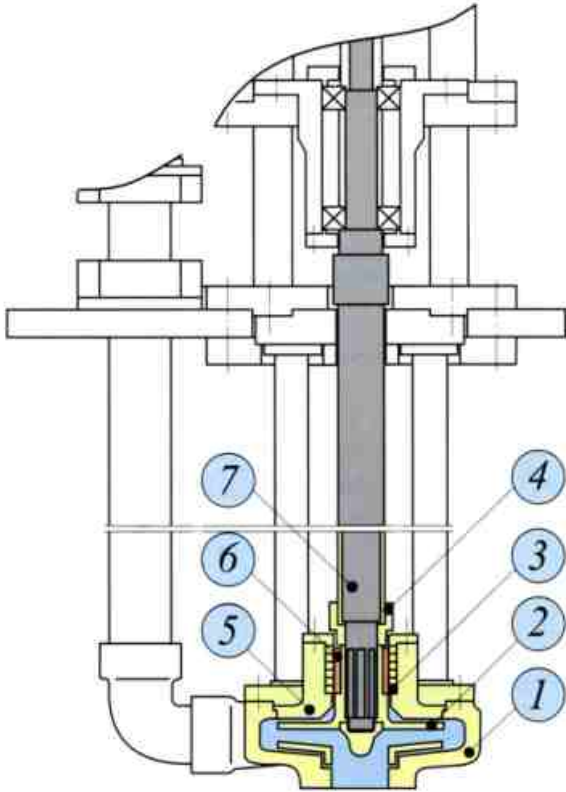


**THONG FATT JAYA MACHINERY HARDWARE SDN. BHD.**

**同發機械五金有限公司** (176024-V)

707-709, Jalan Kuala Kangsar, Taman Tasek Jaya,  
31400 Ipoh, Perak. Malaysia.  
Tel: 00-605-5468 659, 5455 751, 5479 196, 5454 107  
Fax: 00-605-5482 282, 5474 753  
Email: tfjaya@streamyx.com / tfjaya@tm.net.my  
Website: <http://www.thongfattjaya.com.my>

## ◆ STRUCTURE & MATERIAL

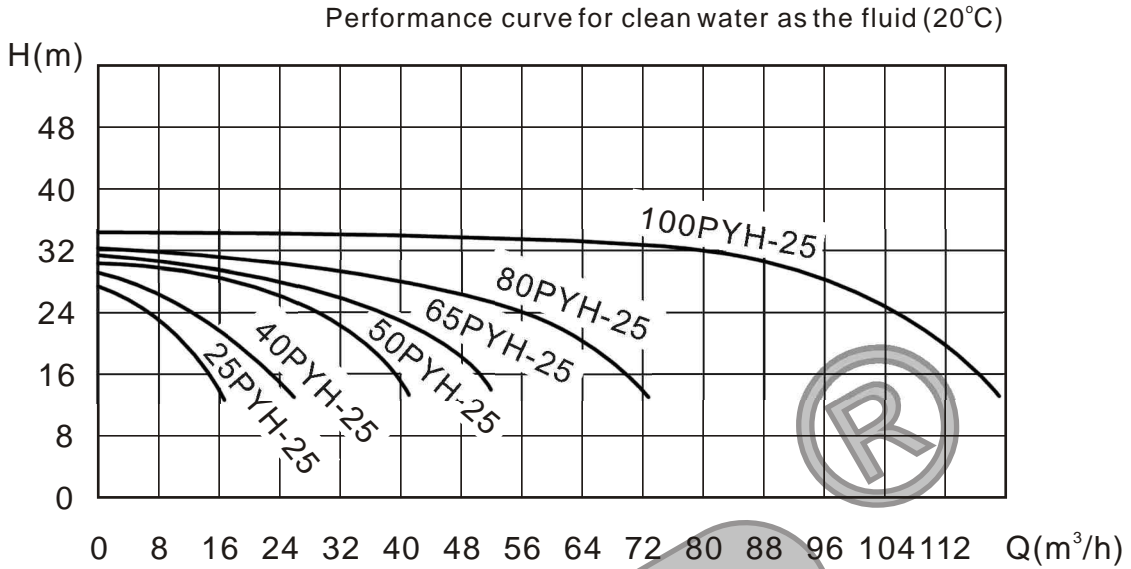


NO	PART NAME	MATERIAL
1	Pump Body	F46
2	Impeller	F46
3	Packing	Filling with polytetrafluoroethylene
4	Stablizing Nut	F46, 45# Steel
5	Pump Cover	F46
6	Static Bearing	Carborundum
7	Pump Shaft	F46, 45# Steel

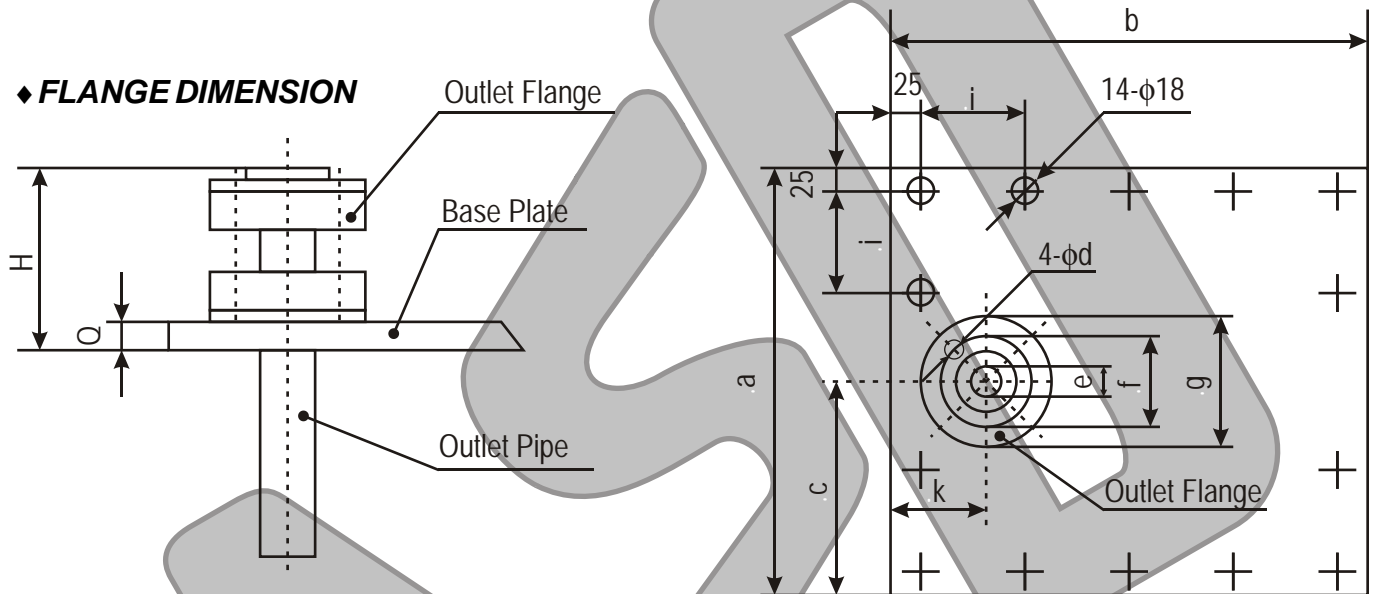
## ◆ SPECIFICATION DATA

Model	Capacity (m <sup>3</sup> /h)	Head (m)	Speed (rpm)	Power (Kw)		Efficiency (%)	Overall Dimension ( m )
				Shaft	Motor		
25PYH-25	7.2	25	2900	1.6	3	45	0.5 x 1 x 1.5
40PYH-25	14.4	25	2900	2.2	4	45	0.5 x 1 x 1.5
50PYH-25	25	25	2900	2.5	4	54	0.5 x 1 x 1.5
65PYH-25	32	25	2900	3.8	5.5	64	0.5 x 1 x 1.5
80PYH-25	50	25	2900	5.2	7.5	64	0.5 x 1 x 1.5

## ◆ PERFORMANCE CHART (2900RPM)



## ◆ FLANGE DIMENSION



Model	Flange Dimensions (mm)										Q	H
	a	b	c	4 - φd	e	φf	φg	l	k			
25PYH - 25	450	490	225	4-14	25	100	130	110	100	25	160	
40PYH - 25	450	490	225	4-14	25	100	130	110	100	25	160	
50PYH - 25	450	490	225	4-14	40	110	140	110	100	25	160	
65PYH - 25	450	490	225	4-14	40	110	140	110	100	25	160	
80PYH - 25	490	550	245	4-18	65	150	180	125	130	45	185	
100PYH - 25	550	650	275	4-18	80	160	190	150	150	45	185	