



DOUBLE IMPELLER CENTRIFUGAL PUMP



The 2MC Series with two back to back impellers. It is used for high head values and large capacity. These pumps should be installed in a covered area, protected against weather.

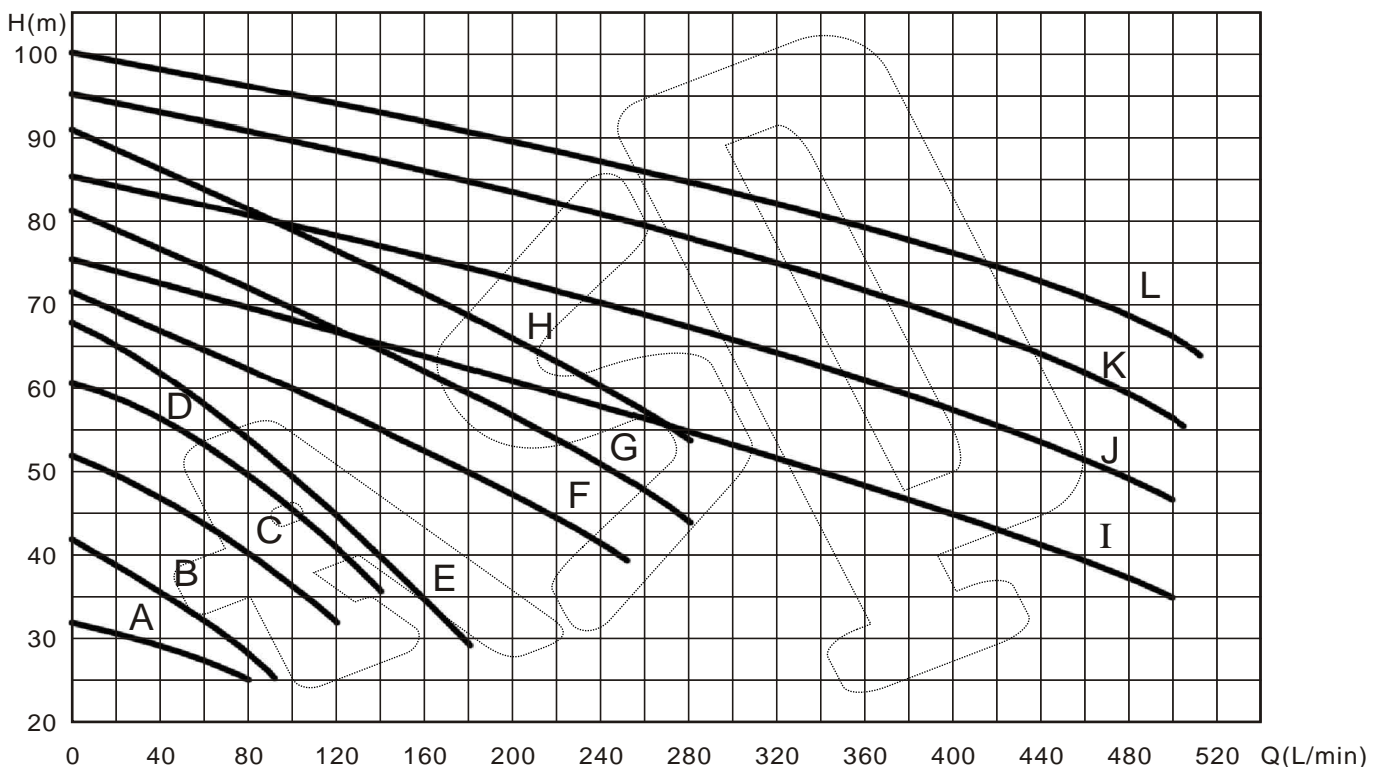
Applications:

- * Fire fighting
- * Pressure booster
- * Boiler feeding and loading
- * Pumping clean water and non-aggressive liquid

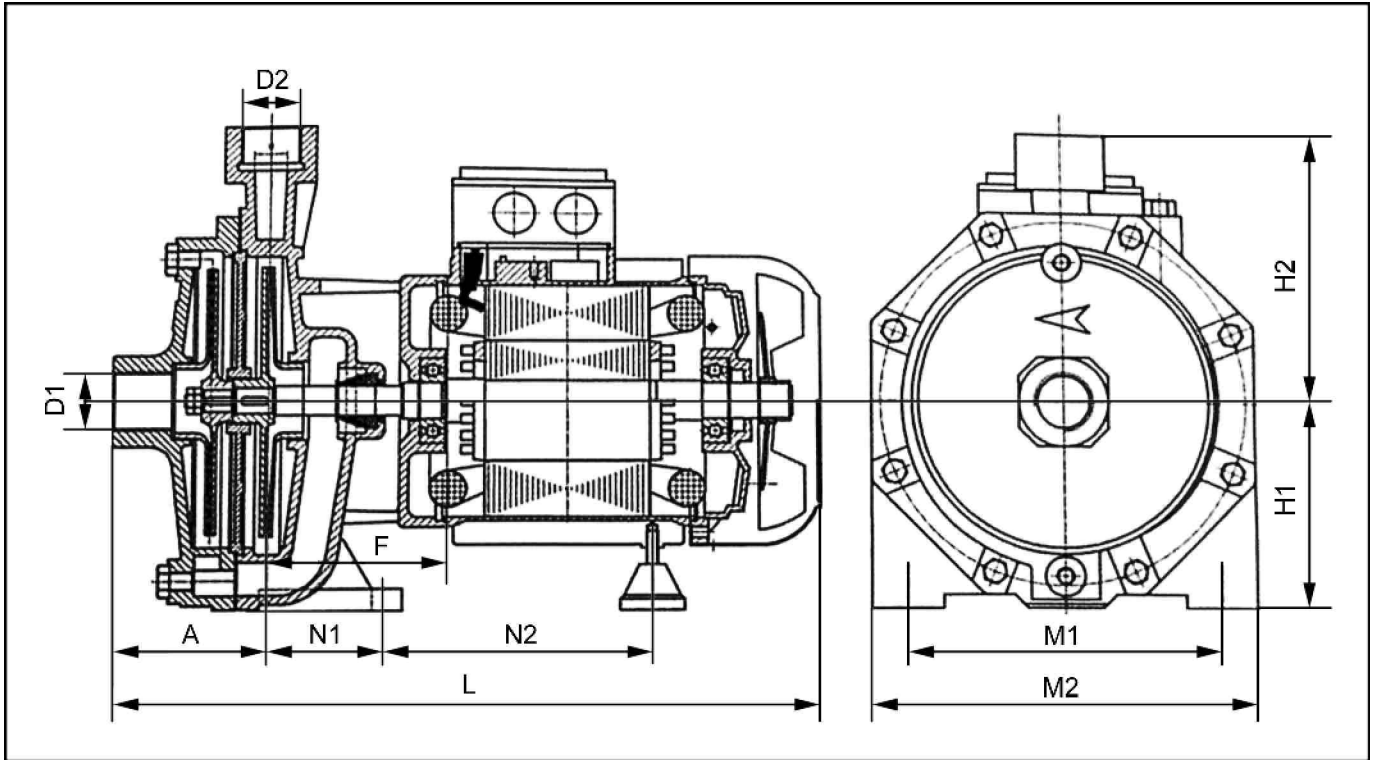
Materials:

- * Pump body: Cast iron
- * Insulation class: Class F
- * Duty: Continuous rated
- * Motor: Closed, externally ventilated
- * Protection class: IP44
- * Mechanical seal: Carbon / Ceramic

No.	Model	Power		Ampere (50Hz)		Speed (rpm)	Max. Capacity (L/min)	Max. Head (m)	Suction Head (m)	Inlet x Outlet Diameter (inch)	Overall Dimension LXWXH (mm)	Net Weight (kg)
		kw	hp	1-Ph 240V	3-Ph 415V							
		A	2MC25/120	0.55	0.75							
B	2MC25/130	0.75	1	5	1.8	2850	82	42	9	1"x1"	380x210x240	18.8
C	2MC25/140H	1.1	1.5	7.5	2.7	2850	120	52	9	1-1/4"x1"	415x255x320	23.5
D	2MC25/160B	1.5	2	9.6	3.5	2850	140	60	9	1-1/4"x1"	415x255x320	24.5
E	2MC25/160A	2.2	3	13.5	5	2850	180	68	9	1-1/2"x1-1/4"	480x290x350	31
F	2MC32/200C	3	4	---	7.2	2850	250	71	9	1-1/2"x1-1/4"	480x290x350	39
G	2MC32/200B	4	5.5	---	9.3	2850	280	81	9	1-1/2"x1-1/4"	480x290x350	42.5
H	2MC32/210B	5.5	7.5	---	14.1	2850	280	91	9	2"x1-1/4"	570x290x360	62
I	2MC40/180A	7.5	10	---	16.5	2850	500	75	9	2"x1-1/4"	570x290x360	62
J	2MC40/200A	9	12	---	19.5	2850	500	85	9	2"x1-1/4"	570x290x360	82
K	2MC40/200B	11	15	---	22.3	2850	500	95	9	2"x1-1/4"	570x290x360	85
L	2MC50/210A	13	17.5	---	27.4	2850	500	100	9	2"x1-1/2"	730x315x390	105
M	2MC50/210B	15	20	---	32.5	2850	500	130	9	2"x1-1/2"	730x315x390	110



OVERALL DIMENSION



No.	Model	Power		Overall Dimensions (mm)										
		kw	hp	D1	D2	A	F	L	N1	N2	M1	M2	H1	H2
A	2MC25/120	0.55	0.75	1"	1"	77.5	88.5	353	58.5	124	140	180	98.5	136
B	2MC25/130	0.75	1	1"	1"	77.5	88.5	353	58.5	124	140	180	98.5	136
C	2MC25/140H	1.1	1.5	1-1/4"	1"	84	96	392	60	147	175	215	115	153
D	2MC25/160B	1.5	2	1-1/4"	1"	84	96	392	60	147	175	215	115	153
E	2MC25/160A	2.2	3	1-1/2"	1-1/4"	90	111	448	72	120	185	230	125	160
F	2MC32/200C	3	4	1-1/2"	1-1/4"	96.5	143.5	534	85	196	210	260	140	170
G	2MC32/200B	4	5.5	1-1/2"	1-1/4"	96.5	143.5	534	85	196	210	260	140	170
H	2MC32/210B	5.5	7.5	2"	1-1/4"	102.5	140.5	587	100.5	202	220	275	150	185
I	2MC40/180A	7.5	10	2"	1-1/4"	102.5	140.5	587	100.5	202	220	275	150	185
J	2MC40/200A	9	12	2"	1-1/4"	102.5	140.5	587	100.5	202	220	275	150	185
K	2MC40/200B	11	15	2"	1-1/4"	102.5	140.5	587	100.5	202	220	275	150	185
L	2MC50/210A	13	17.5	2"	1-1/2"	125	207	772	117	275	255	310	180	210
M	2MC50/210B	15	20	2"	1-1/2"	125	207	772	117	275	255	310	180	210



THONG FATT JAYA MACHINERY HARDWARE SDN. BHD.

同發機械五金有限公司 (176024-V)

707-709, Jalan Kuala Kangsar, Taman Tasek Jaya,
31400 Ipoh, Perak, Malaysia.
Tel: 00-605-5468 659, 5455 751, 5479 196, 5454 107
Fax: 00-605-5482 282, 5474 753
Email: tfjaya@streamyx.com / tfjaya@tm.net.my
Website: http://www.thongfattjaya.com.my