



# Mechanical-Operated Diaphragm Pump

## M SERIES

The M Series Diaphragm Pump is mechanical-operated, positive displacement self priming pump.

This pump is a new design single action double diaphragm pump with characteristic of seamless non-leaking feature, self-lubricant, corrosive-resistance and strong sucking power. It can even be used as vacuum pump and air pump. Vacuum power up to -0.04MPa ~ -0.09MPa.

This pump is widely used for pumping acid, alkali, oil, salt water, etc. It can also use for pumping fluid with solid and high viscosity.

### Application:

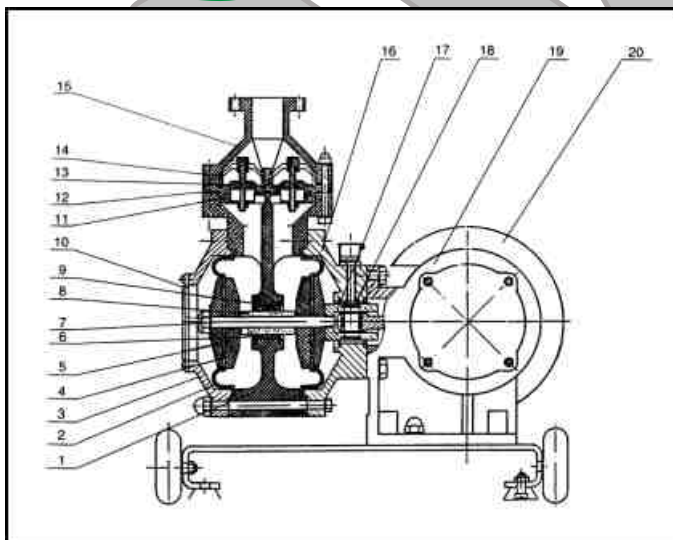
Oil & petrol industry, environmental control, ceramic industry, chemical industry, fertilizer industry, pharmaceutical industry, brewage industry, food industry, paper making industry, water treatment, etc.



### SPECIFICATION DATA

Model	Capacity Q(m <sup>3</sup> /h)	Outlet Pressure P(MPa)	Inlet Pressure Ps(Mpa)	Fluid Temp. (°C)	Pump Speed (rpm)	Inlet Dia. (mm)	Outlet Dia. (mm)	Cylinder	Motor		Outline Dia. (mm)
									Power (kw)	Speed (rpm)	
10M0.5-20	0.5	0.2	0.06	0-70	420	10	10	2	0.18	1400	350x300x230
16M1-20	1	0.2	0.06	0-70	420	16	16	2	0.25	1400	350x300x230
22M3-20	3	0.2	0.06	0-70	420	22	22	2	0.55	1400	435x460x380
25M3-20	3	0.2	0.06	0-70	420	25	25	2	0.75	1400	435x460x380
40M5-20	5	0.2	0.06	0-70	420	40	40	2	1.5	1400	490x460x380
40M7-20	7	0.2	0.06	0-70	420	40	40	2	2.2	1400	490x460x380
40M10-20	10	0.2	0.06	0-70	420	40	40	2	3	1400	550x460x380
50M15-20	15	0.2	0.08	0-70	420	50	50	2	4	1400	650x480x400
80M-30-20	30	0.2	0.08	0-70	420	80	80	2	5.5	1400	750x580x450

### STRUCTURE



- |                  |                    |
|------------------|--------------------|
| 1. Pump Body     | 11. Valve Chamber  |
| 2. Diaphragm     | 12. Valve Packing  |
| 3. Front Chamber | 13. Valve          |
| 4. Piston Inner  | 14. Valve Retainer |
| 5. Piston Outer  | 15. Inlet & Outlet |
| 6. Teflon Bush   | 16. Rear Chamber   |
| 7. Shaft         | 17. Piston Con-Rod |
| 8. Ceramic Bush  | 18. Bearing Bush   |
| 9. O-Ring        | 19. Pedestal       |
| 10. Front Cover  | 20. Pulley         |



**THONG FATT JAYA MACHINERY HARDWARE SDN. BHD.**

**同發機械五金有限公司** (176024-V)

707-709, Jalan Kuala Kangsar, Taman Tasek Jaya,  
31400 Ipoh, Perak, Malaysia.  
Tel: 00-605-5468 659, 5455 751, 5479 196, 5454 107  
Fax: 00-605-5482 282, 5474 753  
Email: tfjaya@streamyx.com / tfjaya@tm.net.my  
Website: <http://www.thongfattjaya.com.my>