



Chemical Corrosive-Resistant Self Priming Centrifugal Pump PPH Series



PPH SERIES ~ End Suction With Pedestal

- * Material: CFR-PP (Reinforced Polypropylene)
- * High intensity & chemical corrosive-resistant
- * Suitable for various corrosive chemical material such as acid, alkali.
- * Capacity: 13m³/h~100m³/h
- * Head: 22m~40m
- * Fluid Temperature: -14°C ~ +80°C
- * Application: chemical, food, pharmaceutical, paper making, environmental control, water treatment, etc.

SPECIFICATIONS DATA

Model	Capacity	Head	Efficiency	Speed	Power	Inlet		Outlet	
	m ³ /h	m	%	rpm	kw	mm	inch	mm	inch
50PPH-22	13	22	49	2900	2.2	50	2	40	1-1/2
65PPH-25	20	25	53	2900	4	65	2-1/2	50	2
80PPH-28	50	28	67	2900	5.5	80	3	65	2-1/2
80PPH-30	50	30	67	2900	7.5	80	3	65	2-1/2
80PPH-32	50	32	67	2900	7.5	80	3	65	2-1/2
100PPH-40	100	40	71	2900	18.5	100	4	80	3

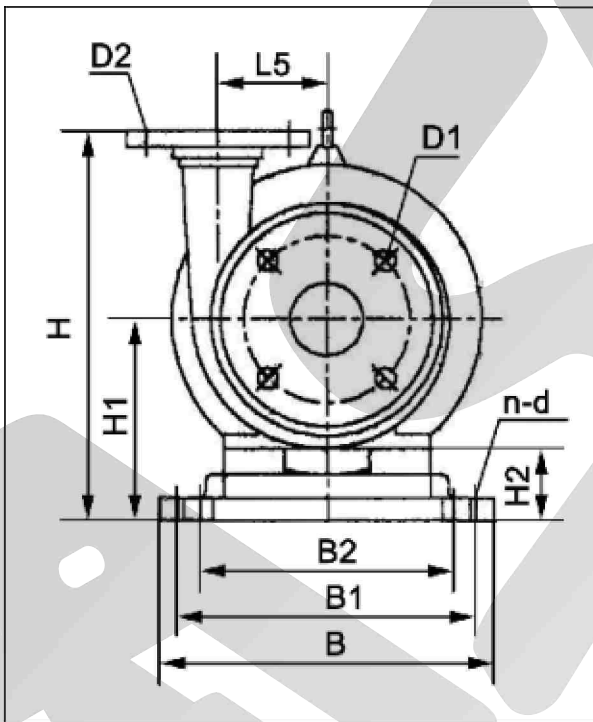
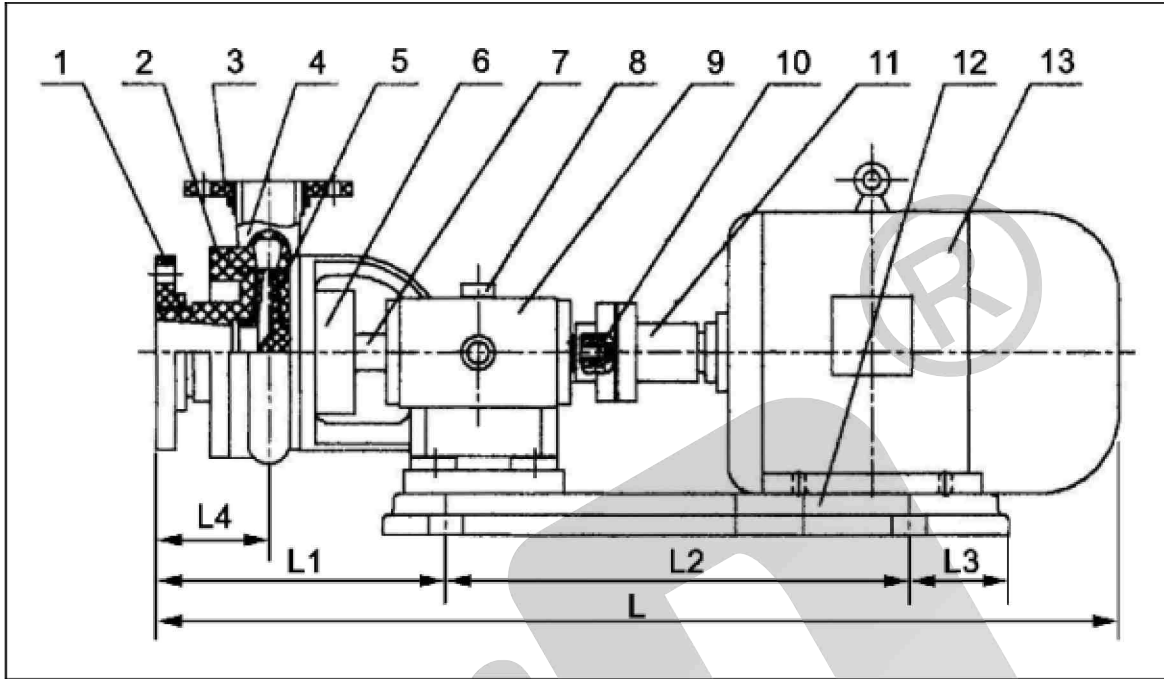


THONG FATT JAYA MACHINERY HARDWARE SDN. BHD.

同發機械五金有限公司 (176024-V)

707-709, Jalan Kuala Kangsar, Taman Tasek Jaya,
31400 Ipoh, Perak. Malaysia.
Tel: 00-605-5468 659, 5455 751, 5479 196, 5454 107
Fax: 00-605-5482 282, 5474 753
Email: tfjaya@streamyx.com / tfjaya@tm.net.my
Website: <http://www.thongfattjaya.com.my>

STRUCTURE & INSTALLATION DIMENSIONS



1. Inlet Flange-----CFR-PP
2. Front Pump Cover--CFR-PP
3. Outlet Flange-----CFR-PP
4. Pump Body----- CFR-PP
5. Impeller----- CFR-PP
6. Mechanical Seal----WB₂A-35
7. Shaft-----Stainless Steel
1Cr18Ni9Ti
8. Oil Plug-----CFR-PP
9. Frame-----Cast Iron
HT200
10. Fasten Screw----- Stainless Iron
3Cr13
11. Coupling----- Cast Iron
12. Base----- Cast Iron
13. Motor

Model	Overall Dimensions (mm)														
	L	L1	L2	L3	L4	L5	B	B1	B2	H	H1	H2	D1	D2	n-d
50PPH-22	780	300	325	95	105	100	305	290	260	335	175	70	φ125- φ4-18	φ110- φ4-18	4-φ18
65PPH-25	850	310	375	110	105	100	335	290	260	355	190	85	φ145- φ4-18	φ125- φ4-18	4-φ18
80PPH-28	940	325	390	110	100	100	390	340	260	385	210	100	φ150- φ4-18	φ145- φ4-18	4-φ18
80PPH-30	940	325	390	110	100	100	390	340	260	385	210	100	φ150- φ4-18	φ145- φ4-18	4-φ18
80PPH-32	940	325	390	110	100	100	390	340	260	385	210	100	φ150- φ4-18	φ145- φ4-18	4-φ18
100PPH-40	940	325	390	110	100	100	390	340	260	385	210	100	φ150- φ4-18	φ145- φ4-18	4-φ18