



Chemical Corrosive-Resistant Self Priming Centrifugal Pump PPZD Series



PPZD SERIES ~ Self Priming Monobloc

- * Material: CFR-PP (Reinforced Polypropylene)
- * High intensity & chemical corrosive-resistant
- * Suitable for various corrosive chemical material such as acid, alkali.
- * Capacity: 2.5m³/h~20m³/h
- * Head: 10m~25m
- * Fluid Temperature: -14°C ~ +80°C
- * Application: chemical, food, pharmaceutical, paper making, environmental control, water treatment, etc.

SPECIFICATIONS DATA

Model	Capacity	Head	Efficiency	Speed	Priming	Priming	Power	Inlet		Outlet	
	m ³ /h	m	%	rpm	Head (m)	(sec/m)		mm	inch	mm	inch
25PPZD-10	2.5	10	49	2900	6	60	0.75	25	1	25	1
32PPZD-11	3.5	11	49	2900	6	60	0.75	32	1-1/4	32	1-1/4
40PPZD-20	11	20	49	2900	6	60	1.5	40	1-1/2	32	1-1/4
50PPZD-22	13	22	49	2900	6	60	2.2	50	2	40	1-1/2
65PPZD-25	20	25	53	2900	6	60	4	65	2-1/2	50	2

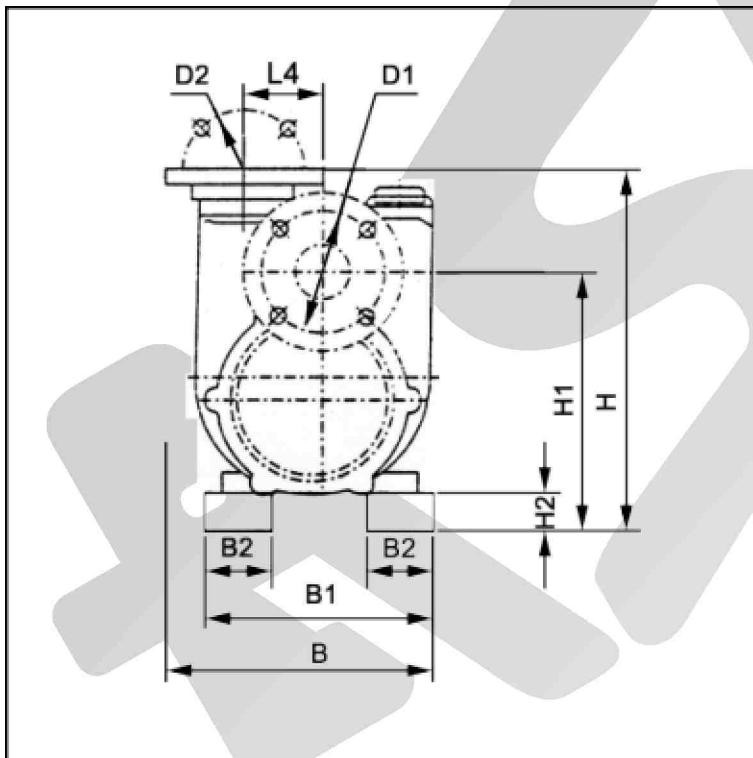
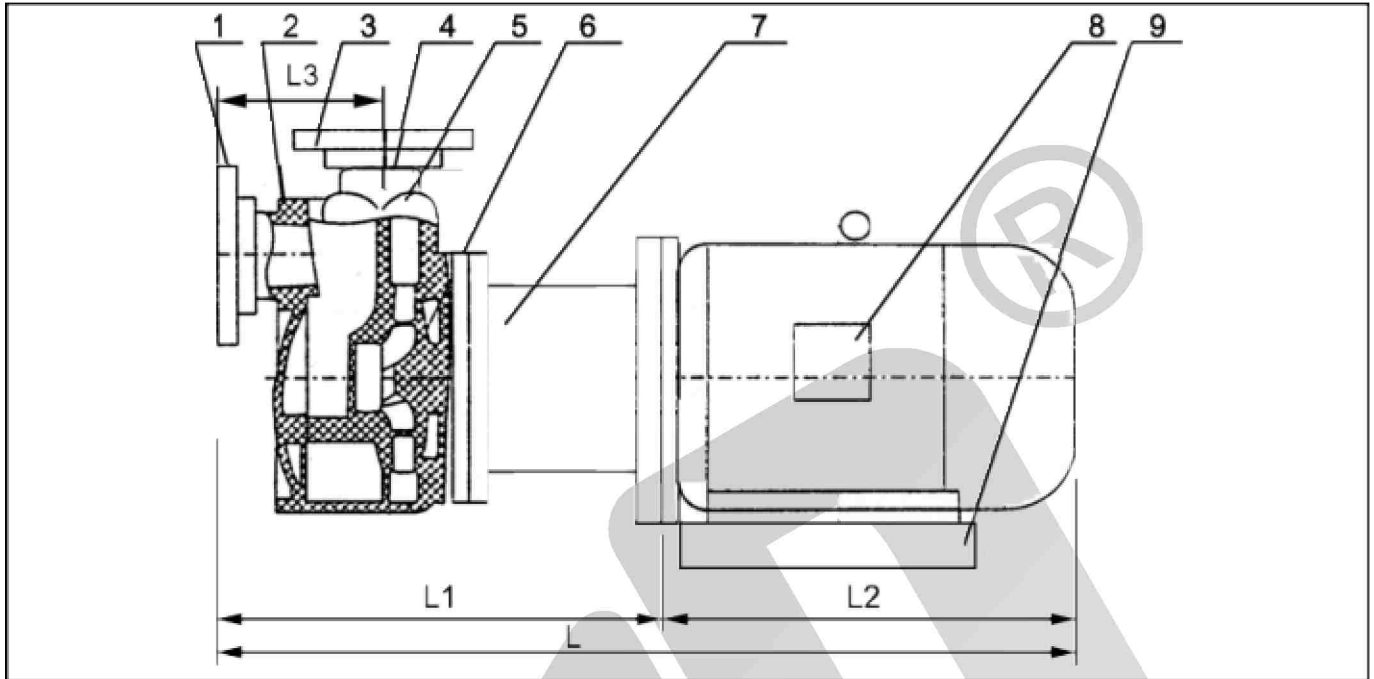


THONG FATT JAYA MACHINERY HARDWARE SDN. BHD.

同發機械五金有限公司 (176024-V)

707-709, Jalan Kuala Kangsar, Taman Tasek Jaya,
31400 Ipoh, Perak. Malaysia.
Tel: 00-605-5468 659, 5455 751, 5479 196, 5454 107
Fax: 00-605-5482 282, 5474 753
Email: tfjaya@streamyx.com / tfjaya@tm.net.my
Website: <http://www.thongfattjaya.com.my>

STRUCTURE & INSTALLATION DIMENSIONS



1. Inlet Flange-----CFR-PP
2. Front Pump Cover--CFR-PP
3. Outlet Flange-----CFR-PP
4. Priming Plug-----CFR-PP
5. Pump Body-----CFR-PP
6. Impeller-----CFR-PP
7. Rear Pump Cover---CFR-PP
8. Motor
9. Base-----Cast Iron

Model	Overall Dimensions (mm)												
	L	L1	L2	L3	L4	B	B1	B2	H	H1	H2	D1	D2
25PPZD-10	455	212	243	108	45	155	143	35	255	180	33	100	85
32PPZD-11	455	212	243	108	45	155	143	35	255	180	33	100	85
40PPZD-20	565	280	285	105	70	220	190	50	283	200	33	98	98
50PPZD-22	540	280	260	105	65	215	188	50	280	200	33	98	98
65PPZD-25	660	330	330	145	75	270	240	50	350	250	33	145	125